

PETER PAUL SERIES 15 SOLENOID VALVES

The Little Black Box that meets the design and application challenges of modern industry

- SMALL
- LIGHTWEIGHT
- ECONOMICAL
- OPERATING PRESSURES FROM VACUUM TO 500 PSI
- QUALITY DESIGN AND CONSTRUCTION

Series 15 is U.L. and CSA Component listed for A.C. only.

This **Series 15** valve group is available as 2-Way Normally Open, 2-Way Normally Closed, and a variety of 3-Way functional combinations to meet your application requirements.

The valves may be used with air, inert gas and liquid media at pressures from vacuum to 500 psi — depending upon orifice size and configuration.

Interior parts are stainless steel and anodized aluminum. All external-magnetic components are encased in epoxy for durability and reliability.

For those who require extra heat resistance and media compatibility FKM is available in addition to all Peter Paul elastomers.

Valve Temperature Range: STANDARD VALVES - 0°F (-18°C) to 104°F (40°C) ambient; 0°F (-18°C) to 150°F (65°C) media. OPTIONAL VALVES – can tolerate much higher or much lower ambient and media temperatures. Consult factory for specifics.

Standard valve porting is 1/8" NPT.

Nominal Power

- 8.5 Watts AC
- 7.0 Watts AC (2 Way Normally Closed)
- 10.5 Watts DC

The entire coil and magnetic structure are epoxy encapsulated and rated for continuous duty.

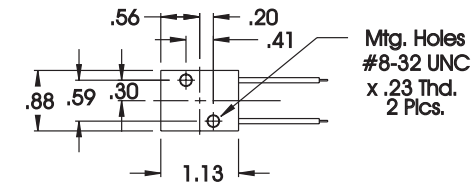
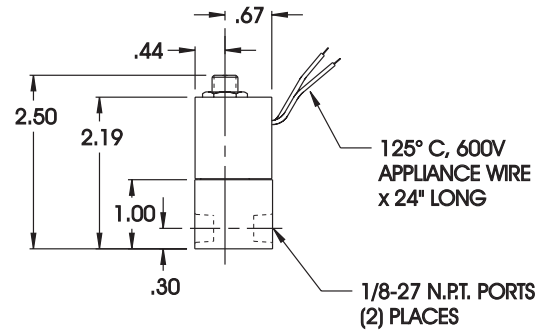
The "Male Export Style DIN Connector", 24" Lead Wire and Conduit configurations are standard. For your convenience we have the female DIN style mating connector No. 50-17029** available for an additional fee.

Include voltage and frequency requirements at the end of the valve number for ordering purposes. (Example: 152G2DEM-120V./60HZ)

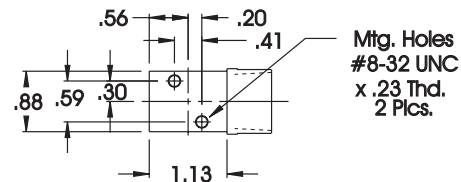
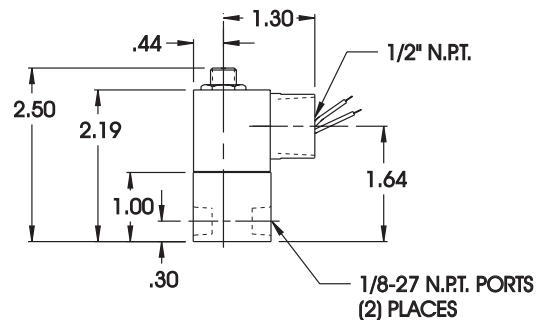
Valves weigh 4¼ oz. to 4¾ oz. (.27lb. to .30lb.) - depending upon particular model and trim.

Repair Packs—available, consult factory

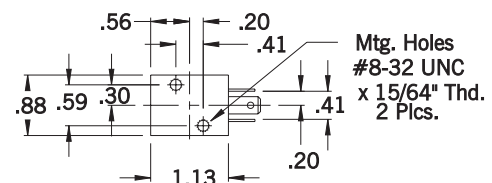
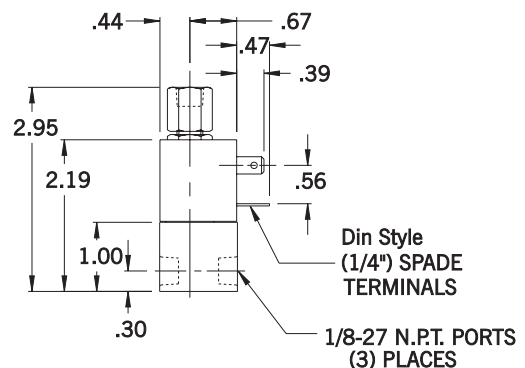
Stackable Valves, brass and stainless steel round bodies available, consult factory.



TWO-WAY NORMALLY CLOSED WITH LEADS



TWO-WAY NORMALLY CLOSED CONDUIT CONNECTION



THREE-WAY WITH DIN STYLE COIL