

# SERIES 80 LARGE ORIFICE TWO WAY DIAPHRAGM VALVES

SERIES 80 Valves for general applications are available **normally closed** or **normally open**. **Models 818 and 828** are solenoid operated diaphragm valves that use a differential pressure principle. (Internal Pilot).

**Model 827** is a solenoid operated diaphragm valve that can operate at low pressures without any differential pressure across the diaphragm (Direct Lift).

The 80 Series has been designed for high flow applications—large  $\frac{5}{8}$  diameter orifice.

80 Series valves are constructed with the same quality materials and workmanship as the smaller Peter Paul Valves. Bodies are made of strong brass forgings.

Internal metal parts are stainless steel. Seals are made from Nitrile Rubber (Buna N). Other materials can be provided for special applications.

80 Series valves can be used with most common media—water—air—oil—etc.

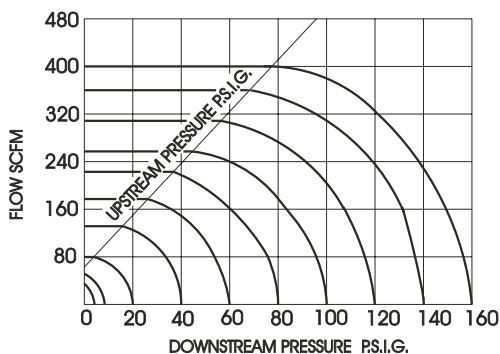
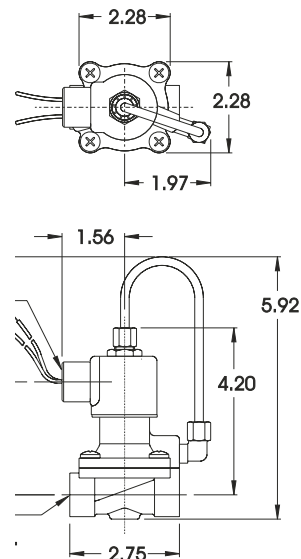
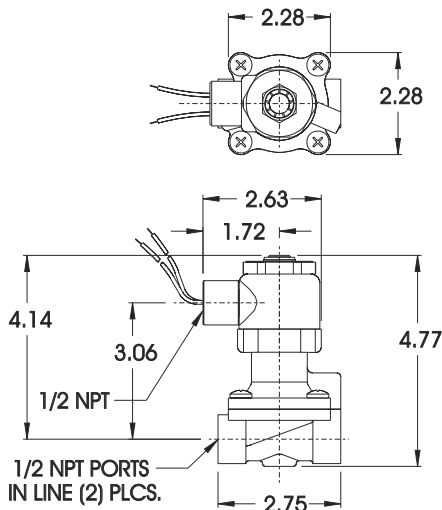
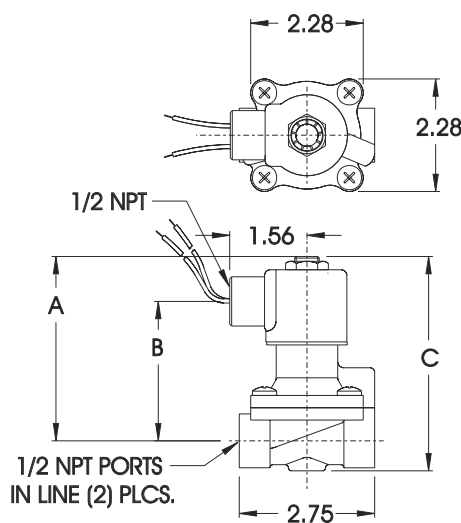
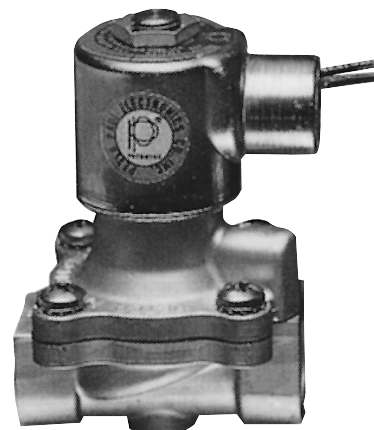
80 Series valves use the same coils and housings as Peter Paul's popular 20 Series valves, therefore, the same wide range of voltages and variations in coil construction and housing configurations are available.

Nominal Power Consumption

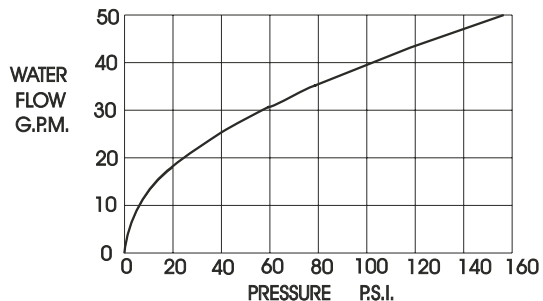
D.C.—9.5 Watts    A.C.—7.7 Watts (Typical)

**Valve Temperature Range:** STANDARD VALVES — 0°F (-18°C) to 104°F (40°C) ambient; 0°F (-18°C) to 150°F (65°C) media.

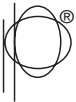
OPTIONAL VALVES — can tolerate much higher or much lower ambient and media temperatures. Consult factory for specifics.



	MODEL 827	MODEL 828
A	3.56	3.75
B	2.66	2.86
C	4.17	4.38



VALVE TYPE	VALVE NUMBER (CONDUIT HOUSING)	ORIFICE SIZE	PIPE SIZE	MAXIMUM OPERATING PRESSURE AC	MINIMUM OPERATING PRESSURE DC	CV FACTOR
Normally Closed - Direct Lift	827C12DCV	5/8	1/2 NPT	100 PSI	40 PSI	4.0
Normally Closed - Internal Pilot	828C12DCV	5/8	1/2 NPT	150 PSI	150 PSI	4.0
Normally Open - Internal Pilot	818C12DCV	5/8	1/2 NPT	150 PSI	150 PSI	4.0
Normally Closed - Internal Pilot - Explosion Proof	E828C12DCM	5/8	1/2 NPT	150 PSI	150 PSI	4.0
Normally Closed - Internal Pilot - Explosion Proof	E818C12DCM	5/8	1/2 NPT	150 PSI	150 PSI	4.0



## 828 LARGE ORIFICE VALVE WITH SOLID STATE TIMER

### *In many applications timing is everything*

The 828 2 way normally closed valve is particularly suited to applications like draining condensation in compressed air systems. The timer provides the versatility needed for this function. The 828 integrated timer/valve creates opportunities for hundreds of applications.

80 Series valves are constructed with the same quality materials and workmanship as the smaller Peter Paul Valves. Bodies are made of strong brass forgings. Internal metal parts are stainless steel. Seals are made from Nitrile Rubber (Buna N). Other materials can be provided for special applications. 80 Series valves can be used with most common media—water—air—oil—etc.

80 Series valves use the same coils and housings as Peter Paul's popular 20 Series valves, therefore, the same wide range of voltages, variations in coil construction and housing configurations are available.

**For OTHER VALVES and VALVE CONFIGURATIONS WITH TIMERS – consult PETER PAUL.**



### SPECIFICATIONS

**PRESSURE** 5-150 PSI **VOLTAGE** 120/60 110/50 240 A.C.

**PIPE SIZE** 1/2 NPT (in line) – **ORIFICE** 5/8"

**NOMINAL POWER CONSUMPTION** 9.5 Watts

**LINE CORD** 6 Ft. w/ Standard Three Prong Plug

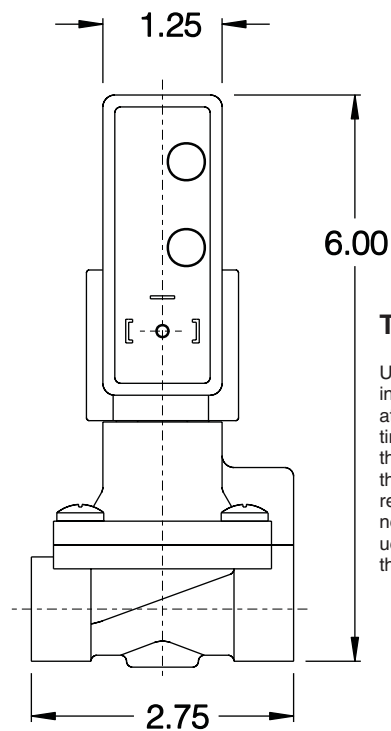
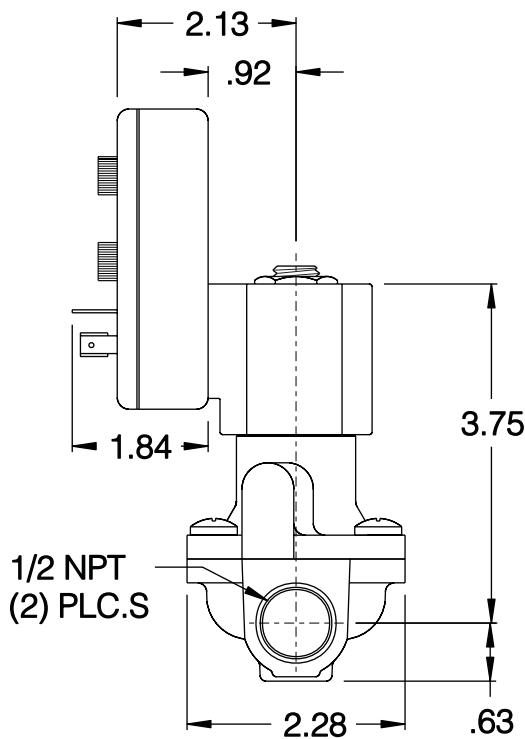
**TIMER ADJUSTMENT:**

**Off Time** 1 to 45 min. **On Time** .25 sec. to 25 sec.

**PUSH BUTTON MANUAL OVERRIDE**

**STATUS LIGHTS** to show power and operation.

Timer and coil may be rotated 360°



### TIMER FUNCTION

Upon application of power to the input terminals, the off cycle is initiated. At the end of the pre-set off time, the solenoid is energized and the on cycle begins. At the end of the preset on time, power is removed from the solenoid and a new cycle begins. Cycling continues until power is removed from the input terminals.