

PETER PAUL

SPECIAL APPLICATIONS

Series 30 - Model F32 - Filter Valve

SPECIFICATIONS - OPERATING CONDITIONS

Media: Air, water.

Valve Temperature Range: STANDARD VALVES – 0°F (-18°C) to 104°F (40°C) ambient; 0°F (-18°C) to 150°F (65°C) media. OPTIONAL VALVES – can tolerate much higher or much lower ambient and media temperatures. Consult factory for specifics.

Burst Pressure: Series 30 - 4000 PSI

Leakage: Bubble tight

ELECTRICAL CHARACTERISTICS

Coil Voltage: 5 to 650 VAC 50-60 HZ – 2 to 240 V DC

Nominal Power: 9 Watts AC & DC

Coil Construction: Molded and Non-Molded.

Typical Response Time on Air: 4-16 Milliseconds

MECHANICAL CHARACTERISTICS

Body: Brass (Standard)
Stainless Steel (Optional)

Porting: 1/8" NPT

Housing: Grommet & 1/2 NPT conduit - many options available

Filtration: 140 MICRON

NOTE: OTHER MICRON FILTRATION IS AVAILABLE—CONSULT FACTORY

MAX. PRESS		ORIFICE		CV FACTOR	VALVE NUMBER	
AC	DC	SIZE	SIZE		GROMMET HOUSING 1/8 NPTF PIPE PORTS	CONDUIT HOUSING 1/8 NPTF PIPE PORTS
280	280	3/64	.055	F32H5DBGV	F32H5DBCV	
280	250	1/16	.105	F32J5DBGV	F32J5DBCV	
180	100	3/32	.195	F32K5DBGV	F32K5DBCV	
130	80	7/64	.220	F32L5DBGV	F32L5DBCV	
90	50	1/8	.275	F32N5DBGV	F32N5DBCV	

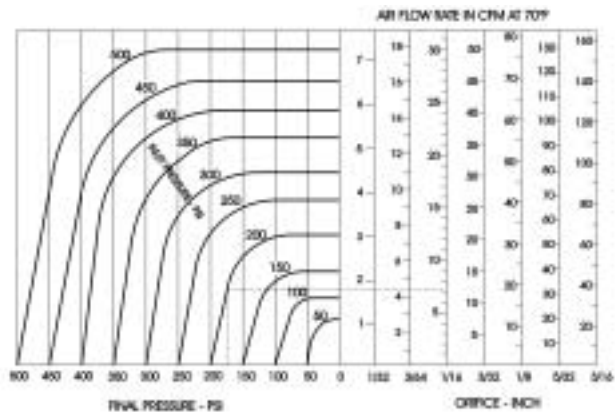
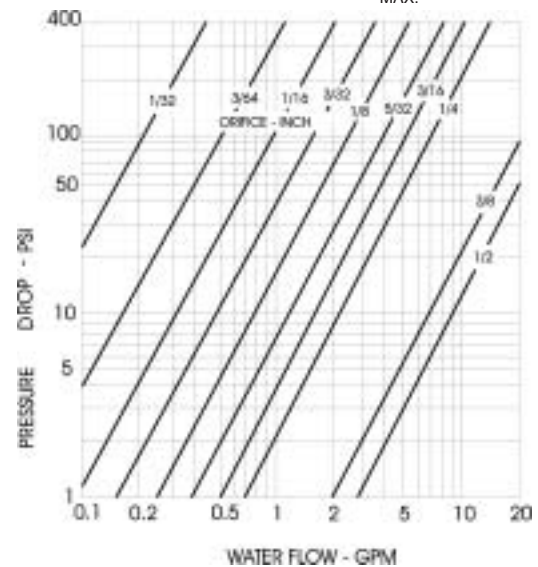
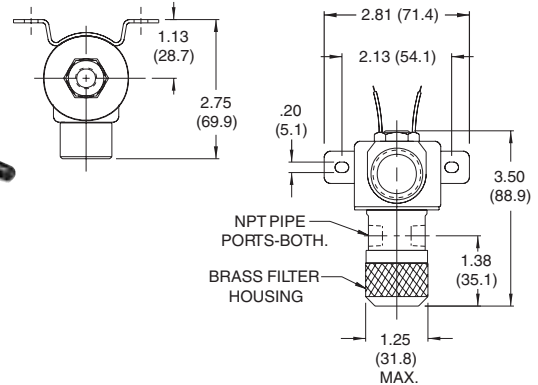
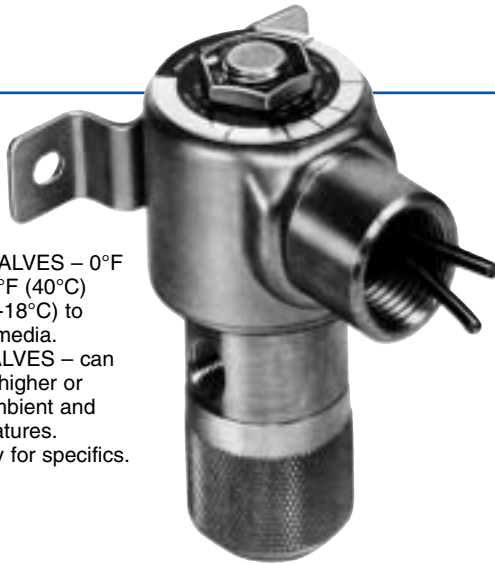
WHEN ORDERING ADD VOLTAGE AND FREQUENCY TO COMPLETE VALVE NUMBER. EXAMPLE: (F32H5DBGV-120/60)

HOUSING OPTIONS *see page 78
STRAIN RELIEF CONNECTOR

SINGLE AUTOMOTIVE

DOUBLE AUTOMOTIVE

"AN" CONNECTOR



OPTIONS AVAILABLE: -SPECIAL APPLICATION VALVES

MOUNTING BRACKET

COIL OPTIONS *see page 79

MOLDED COIL

POTTED COIL & HOUSING

HIGH TEMPERATURE MOLDED COIL

MISCELLANEOUS OPTIONS see page 76

SILVER SHADING RING

ALUMINUM SHADING RING

Note: Availability of certain options or combination of options may vary with quantity of units ordered - Consult representative or factory