

SPECIFICATIONS — 2-WAY — 3-WAY EXPLOSION PROOF VALVES

OPERATING CONDITIONS

Media: Air, water, and other fluids, compatible with standard Buna seals. Hot water, steam, gasoline, and many oils require special seal materials.
(Consult representative or factory.)

Valve Temperature Range: Standard Valve-0°F(-18°C) to 104°F(40°C) ambient;
0°F (-18°C) to 150°F(65°C) media. Optional Valves can tolerate much higher or much lower ambient and media temperatures. Consult factory for specifics.

Maximum Operating Pressure Differentials: See Catalog Listings

Burst Pressure: 5000 PSI

Leakage: Bubble tight for standard valves

Vacuum: To 5 Microns - Consult factory

ELECTRICAL CHARACTERISTICS

Coil Voltage: 5 to 825 VAC 50-60 HZ - 1.8 to 265V DC

Nominal Power:	<u>Wattage</u>
	<u>A.C. 7.3 Watts</u>
	<u>D.C. 9.5 Watts</u>

Coil Construction: Molded coil and third wire ground (standard)

Typical Response Time on Air: 4-16 Milliseconds

MECHANICAL CHARACTERISTICS

Body: Stainless steel

Orifice Diameter: See catalog listings

Porting: See catalog listings

Housing: 1/2" NPT conduit

Listings: Valves are U.L. Listed and CSA Certified for Hazardous Locations—Class I, Div 1, Group C and D - Class II, Div 1, Groups E, F, and G; Div 2 Groups A,B,C,D,E,F, and G.

OPTIONS AVAILABLE: — 3 WAY MULTI-PURPOSE
FOR ILLUSTRATED OPTIONS SEE PAGES 76-81
FOR FLOW CHARTS SEE PAGES 95-97

HOUSING OPTIONS – see page 78

MOUNTING BRACKET

All Models

COIL OPTIONS – see page 79

MOLDED COIL

Standard

POTTED COIL & HOUSING

All models

HIGH TEMPERATURE MOLDED COIL

All Models

THIRD WIRE GROUND

All Models

BODY OPTIONS – see page 80

FINE METERING

All Models

METERING TO 1/8" ORIFICE

All Models

METERING TO 1/4" ORIFICE

Models E22, E23

METERED BYPASS

Models E22, E23

MANUAL OVERRIDE

All Models*

METERED EXHAUST PORT

Model E23

PORT OPTIONS – see page 81

BOTTOM ORIFICE PORT

Models E22**, E23**

BOTTOM CAVITY PORT

Models E22**, E23**

PORT 90° LEFT

Models E22, E23

MANIFOLD MOUNT

Models E22**, E23**

FLANGE MOUNT

Models E22**, E23**

PORT 90° RIGHT

Models E22, E23

MISCELLANEOUS

Options – see page 76

SILVER SHADING RING

All Models

ALUMINUM SHADING RING

All Models

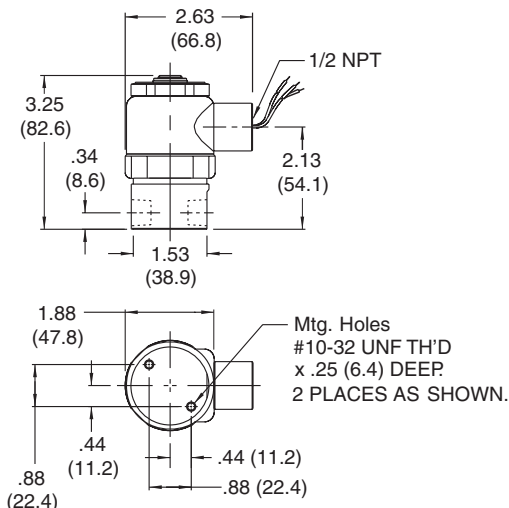
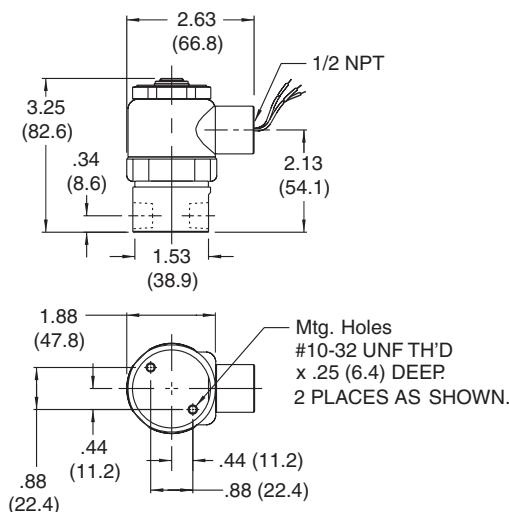
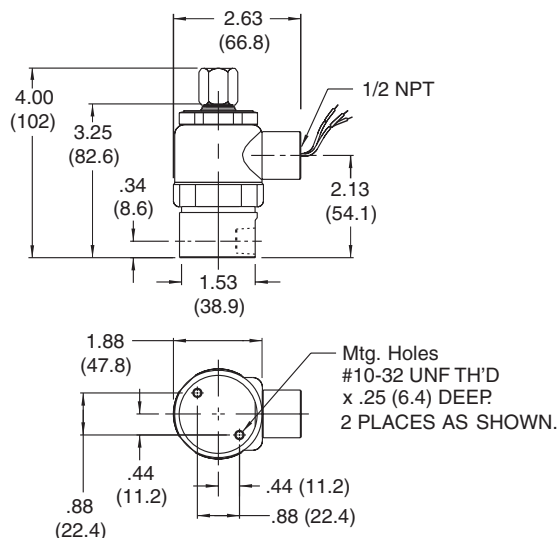
BUILT IN MUFFLER

All Models

Note: Availability of certain options or combination of options may vary with quantity of units ordered – consult representative or factory.

* Not available over 250 psi

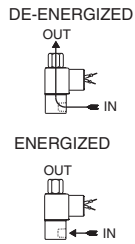
** Not available in 1/4" orifice



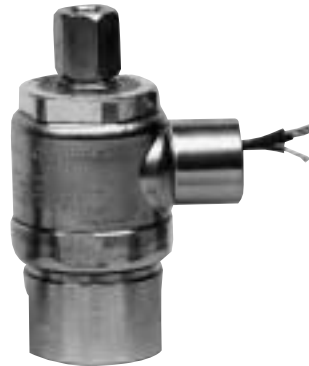


SOLENOID VALVES . . .

SERIES 20 — MODEL E21—2-WAY NORMALLY OPEN



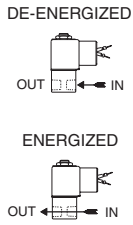
	† MAX. OPER. PRESS DIFF.		ORIFICE SIZE	CV FACTOR
	AC	DC		
	400 (700)	400 (700)	1/32	.024
	235 (500)	235 (500)	3/64	.053
	150 (350)	150 (350)	1/16	.095
	100 (150)	100 (150)	3/32	.156
	35 (40)	35 (40)	1/8	.227



VALVE NUMBER CONDUIT HOUSING	
1/8 NPT PORTS	1/4 NPT PORTS
E21G7XCCM	E21G9ZCCM
E21H7XCCM	E21H9ZCCM
E21J7XCCM	E21J9ZCCM
E21K7XCCM	E21K9ZCCM ✓
°E21N7XCCM	°E21N9ZCCM

°VALVES WITH 1/8 SLEEVE ORIFICE ARE NOT UL NOR CSA LISTED

SERIES 20 — MODEL E22—2-WAY NORMALLY CLOSED

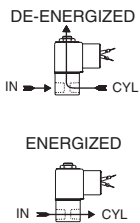


	† MAX. OPER. PRESS DIFF.		ORIFICE SIZE	CV FACTOR
	AC	DC		
	500	500	1/32	.024
	250 (500)	250 (500)	3/64	.052
	200 (400)	200 (400)	1/16	.095
	125 (300)	125 (250)	3/32	.156
	100 (200)	100 (200)	1/8	.284
	75	50	5/32	.404
	50	25	3/16	.500
	20	5	1/4	.700



VALVE NUMBER CONDUIT HOUSING	
1/8 NPT PORTS	1/4 NPT PORTS
E22G7DCCM	E22G9DCCM
E22H7DCCM	E22H9DCCM
E22J7DCCM	E22J9DCCM
E22K7DCCM	E22K9DCCM
E22N7DCCM	E22N9DCCM ✓
E22O7DCCM	E22O9DCCM
E22P7DCCM	E22P9DCCM
E22R7DCCM	E22R9DCCM ✓

SERIES 20 — MODEL E23—3-WAY NORMALLY CLOSED — EXHAUST TO ATMOSPHERE



	† MAX. OPER. PRESS DIFF.		ORIFICE SIZE		CV FACTOR	
	AC	DC	INLET	EXH.	INLET	EXH.
	400	400	1/32	1/32	.024	.024
	150 (200)	150 (200)	3/64	1/16	.052	.095
	100 (135)	100 (135)	1/16	1/16	.095	.095
	100 (135)	100 (135)	1/16	3/32	.095	.156
	75 (100)	75 (100)	3/32	3/32	.156	.156
	50 (70)	50 (70)	1/8	3/32	.284	.156
	35 (40)	35 (40)	1/8	1/8	.284	.227
	20	20	3/16	3/32	.500	.156
	20	20	3/16	1/8	.500	.227
	15	—	1/4	3/32	.700	.156
	15	—	1/4	1/8	.700	.227



VALVE NUMBER CONDUIT HOUSING	
1/8 NPT PORTS	1/4 NPT PORTS
E23GG7DCCM	E23GG9DCCM
E23HJ7DCCM	E23HJ9DCCM
E23JJ7DCCM	E23JJ9DCCM
E23JK7DCCM	E23JK9DCCM
E23KK7DCCM	E23KK9DCCM ✓
E23NK7DCCM	E23NK9DCCM
°E23NN7DCCM	E23NN9DCCM
E23PK7DCCM	E23PK9DCCM
°E23PN7DCCM	E23PN9DCCM
E23RK7DCCM	E23RK9DCCM
°E23RN7DCCM	E23RN9DCCM

°VALVES WITH 1/8 SLEEVE ORIFICE ARE NOT UL NOR CSA LISTED

† Ratings in brackets are optional extended ratings; consult factory

When ordering add voltage and frequency to complete valve number. Example: (E23GG7DCCM-120/60)

NOTE: The above checked (✓) Valves, but with optional molded coils, are most popular based on sales and likely to be in Distributor stock.