

## SPECIFICATIONS—3-WAY MULTI-PURPOSE

### OPERATING CONDITIONS

**Media:** Air, water, and other fluids compatible with standard Buna seals. Hot water, steam gasoline, and many oils require special seal materials - Consult representative or factory. (Series 50 pressure ratings may change due to the viscosity of the liquid-consult factory for de-rating)

**Valve Temperature Range:** STANDARD VALVES – 0°F (-18°C) to 104°F (40°C) ambient; 0°F (-18°C) to 150°F (65°C) media. OPTIONAL VALVES – can tolerate much higher or much lower ambient and media temperatures. Consult factory for specifics.

**Maximum Operating Pressure Differentials:** See Catalog listings.

**Burst Pressure:** Series 20, 30, 50 - 5000 PSI Series 70 - 4000 PSI

**Leakage:** Bubble tight for standard valves

**Vacuum:** To 5 Microns - Consult factory

### ELECTRICAL CHARACTERISTICS

**Coil Voltage:** Series 20 - 5 to 825 VAC 50-60 HZ. – 1.8 to 265V DC  
Series 30 - 5.2 to 650 VAC 50-60 HZ. – 2 to 240V DC  
Series 50 - 5.4 to 575 VAC 50-60 HZ. – 3.0 to 300V

DC Series 70 - 12 to 1050 VAC 50-60 HZ. – 2.5 to 220V

#### Nominal Power:

Series	D.C.	A.C.	Series	D.C.	A.C.
20	9.5	8.7 Watts	50	7.0	6.0 Watts
30	8.0	8.0 Watts	70	16.0	18.0 Watts

**Coil Construction:** Non-molded Class A, Molded and potted Class F. (Class H optional)

**Typical Response Time on Air:** 4 - 16 Milliseconds—all series

### MECHANICAL CHARACTERISTICS

**Body:** Stainless steel (standard) - Ser. 20, 50, & 70  
Brass (standard) - Ser. 30  
Brass (optional) - Ser. 20, 50, & 70 - Consult factory  
Aluminum (optional) - Ser. 50 - Consult factory

**Orifice Diameter:** See catalog listings

**Porting:** See catalog listings

**Housing:** Grommet & 1/2" NPT conduit - many options available.

**Listings:** Most valves are U.L. and CSA listed - Consult factory for specifics.

## OPTIONS AVAILABLE: – 3 WAY MULTI-PURPOSE FOR ILLUSTRATED OPTIONS SEE PAGES 76-81 FOR FLOW CHARTS SEE PAGES 95-97

#### HOUSING OPTIONS—see page 78

**STRAIN RELIEF CONNECTOR**  
All Models

**SINGLE AUTOMOTIVE**  
All Models except 56

**DOUBLE AUTOMOTIVE**  
All Models except 56

**"AN" CONNECTOR**  
All Models

**SPLICE BOX HOUSING**  
All Models

**JIC HOUSING**  
Model 26

**YOKE**  
All Models

**MOUNTING BRACKET**  
All Models

#### COIL OPTIONS—see page 79

**MOLDED COIL**  
All Models

**THIRD WIRE GROUND**  
All conduit Models

#### POTTED COIL & HOUSING

**SPADE TERMINAL COIL - MOLDED**  
Models 26, 36, 56

**SPADE TERMINAL COIL -NON-MOLDED**  
Models 26, 36, 56

**HIGH TEMPERATURE MOLDED COIL**  
All Models

**EUROPEAN DIN STYLE COIL**  
Models 26, 36

#### BODY OPTIONS—see page 80

**METERING TO 3/32" ORIFICE**  
Models 56

**METERING TO 1/8" ORIFICE**  
Model 26, 36

**METERING TO 3/16" ORIFICE**  
Model 76

**METERED BYPASS**  
Model 26

**MANUAL OVERRIDE**  
Models 26, 76

#### PORT OPTIONS—see page 81

**BOTTOM ORIFICE PORT**  
All Models

**BOTTOM CAVITY PORT**  
All Models

**PORT 90° LEFT**  
Models 26, 36, 76

**MANIFOLD MOUNT**  
All Models

**FLANGE MOUNT**  
Models 26, 76

**PORT 90° RIGHT**  
Models 26, 36, 76

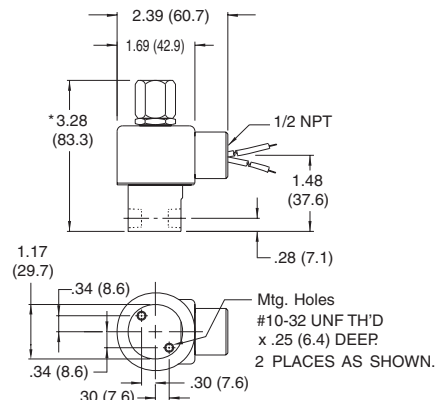
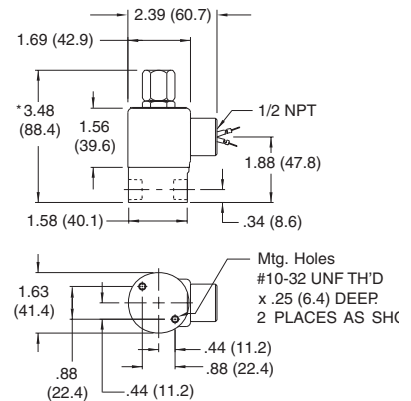
#### MISCELLANEOUS OPTIONS—see page 76

**SILVER SHADING RING**  
All Models

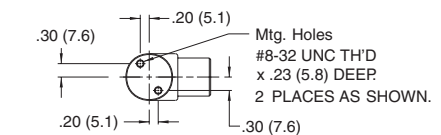
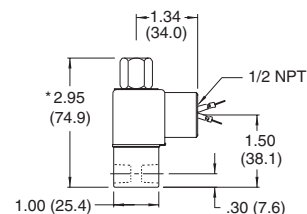
**ALUMINUM SHADING RING**  
All Models

**UNIVERSAL MOUNTING BRACKET**  
Models 26, 36, 56

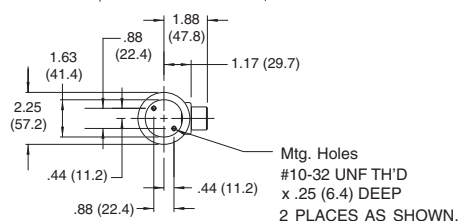
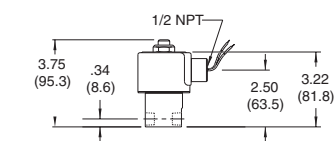
**Note:** Availability of certain options or combination of options may vary with quantity of units ordered - Consult representative or factory.

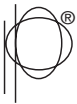


\*ADD .100 (2.5) FOR SPADE TERMINAL COIL OPTION



\*ADD .232 (5.9) FOR SPADE TERMINAL COIL OPTION

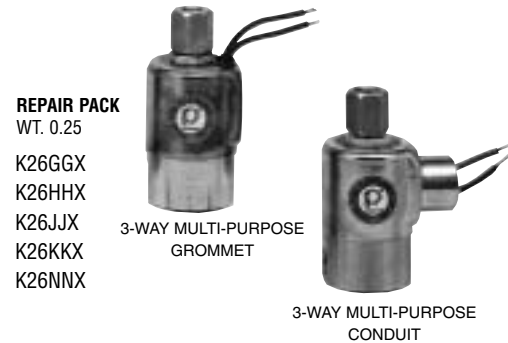




## SERIES 20—MODEL 26

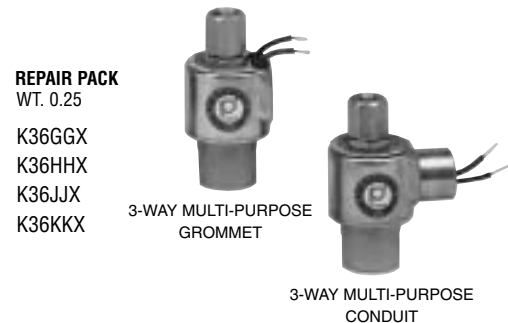
+MAX. OPER. PRESS. DIFF.		ORIFICE SIZE		CV FACTOR		VALVE NUMBER			
AC	DC	INLET EXH.		INLET EXH.		GROMMET HOUSING		CONDUIT HOUSING	
						Grommet Valve WT. 1.13 LB.		Conduit Valve WT. 1.19 LB	
						1/8 NPT PORTS	1/4 NPT PORTS	1/8 NPT PORTS	1/4 NPT PORTS
400	400	1/32*	1/32	.024*	.024	26GG7XGV	26GG9ZGV	26GG7XCV	26GG9ZCV
150	150	3/64*	3/64	.052*	.052	26HH7XGV	26HH9ZGV	26HH7XCV	26HH9ZCV
100	100	1/16*	1/16	.095*	.095	26JJ7XGV	26JJ9ZGV	26JJ7XCV	26JJ9ZCV ✓
75	75	3/32*	3/32	.156*	.156	26KK7XGV	26KK9ZGV	26KK7XCV	26KK9ZCV
35	35	1/8*	1/8	.284*	.201	°26NN7XGV	°26NN9ZGV	°26NN7XCV	°26NN9ZCV

°VALVE WITH 1/8 SLEEVE ORIFICE ARE UL LISTED ONLY



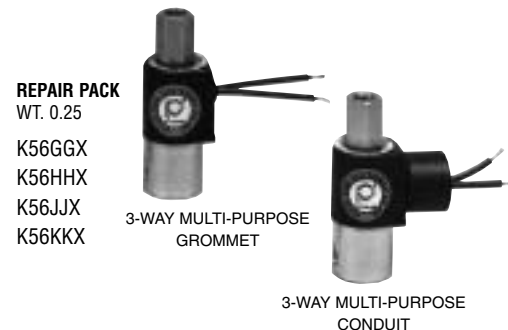
## SERIES 30—MODEL 36

+MAX. OPER. PRESS. DIFF.		ORIFICE SIZE		CV FACTOR		VALVE NUMBER			
AC	DC	INLET EXH.		INLET EXH.		GROMMET HOUSING		CONDUIT HOUSING	
						Grommet Valve WT. 0.75 LB.		Conduit Valve WT. 0.81 LB	
						1/8 NPT PORTS		1/8 NPT PORTS	
300	300	1/32*	1/32	.024*	.024	36GG5XGV		36GG5XCV	
150	150	3/64*	3/64	.052*	.052	36HH5XGV		36HH5XCV ✓	
75	75	1/16*	1/16	.095*	.095	36JJ5XGV		36JJ5XCV	
50	30	3/32*	3/32	.160*	.160	36KK5XGV		36KK5XCV	



## SERIES 50—MODEL 56

+MAX. OPER. PRESS. DIFF.		ORIFICE SIZE		CV FACTOR		VALVE NUMBER			
AC	DC	INLET EXH.		INLET EXH.		GROMMET HOUSING		CONDUIT HOUSING	
						Grommet Valve WT. 0.38 LB.		Conduit Valve WT. 0.44 LB	
						1/8 NPT PORTS		1/8 NPT PORTS	
125	125	1/32*	1/32	.022*	.020	56GG8XGB		56GG8XCB	
100	100	3/64*	3/64	.055*	.048	56HH8XGB		56HH8XCB	
65	50	1/16*	1/16	.075*	.075	56JJ8XGB ✓		56JJ8XCB	
25	25	3/32*	3/32	.156*	.150	56KK8XGB		56KK8XCB	



## SERIES 70—MODEL 76

+MAX. OPER. PRESS. DIFF.		ORIFICE SIZE		CV FACTOR		VALVE NUMBER			
AC	DC	INLET EXH.		INLET EXH.		GROMMET HOUSING		CONDUIT HOUSING	
						Grommet Valve WT. 2.00 LB.		Conduit Valve WT. 2.06 LB	
						1/4 NPT PORTS		1/4 NPT PORTS	
225	225	1/16*	1/16	.09*	.09	76JJ9ZGV		76JJ9ZCV	
150	150	3/32*	3/32	.22*	.22	76KK9ZGV		76KK9ZCV ✓	
100	100	1/8*	1/8	.35*	.35	76NN9ZGV		76NN9ZCV	
75	75	5/32*	5/32	.45*	.45	76009ZGV		76009ZCV	
60	60	3/16*	3/16	.50*	.50	76PP9ZGV		76PP9ZCV	



WHEN ORDERING VALVES OR REPAIR PACKS ADD VOLTAGE AND FREQUENCY TO COMPLETE VALVE NUMBER.

EXAMPLES: VALVE (75KK9ZGV-120/60) REPAIR PACK (K75KKX-AC) See repair pack reference page 82

\*Normally Closed Orifice

NOTE: The above checked (✓) Valves, but with optional molded coils, are most popular based on sales and likely to be in Distributor stock.