

3-WAY NORMALLY CLOSED Exhaust to atmosphere

SPECIFICATIONS—3-WAY NORMALLY CLOSED

OPERATING CONDITIONS

Media: Air, water, and other fluids compatible with standard Buna seals. Hot water, steam gasoline, and many oils require special seal materials - Consult representative or factory.

Valve Temperature Range: STANDARD VALVES – 0°F (-18°C) to 104°F (40°C) ambient; 0°F (-18°C) to 150°F (65°C) media. OPTIONAL VALVES – can tolerate much higher or much lower ambient and media temperatures. Consult factory for specifics.

Maximum Operating Pressure Differentials: See Catalog listings.

Burst Pressure: Series 20, 30, 50 - 5000 PSI Series 70 - 4000 PSI

Leakage: Bubble tight for standard valves

Vacuum: To 5 Microns - Consult factory

ELECTRICAL CHARACTERISTICS

Coil Voltage: Series 20 - 5 to 825 VAC 50-60 HZ. – 1.8 to 265V DC
Series 30 - 5.2 to 650 VAC 50-60 HZ. – 2 to 240V DC
Series 50 - 5.4 to 575 VAC 50-60 HZ. – 3.0 to 300V DC
Series 70 - 12 to 1050 VAC 50-60 HZ. – 2.5 to 220V DC

Nominal Power:

Series	D.C.	A.C.	Series	D.C.	A.C.
20	9.5	8.7 Watts	50	7.0	6.0 Watts
30	8.0	8.0 Watts	70	16.0	18.0 Watts

Coil Construction: Non-molded Class A, Molded and potted Class F. (Class H optional)

Typical Response Time on Air: 4 - 16 Milliseconds—all series

MECHANICAL CHARACTERISTICS

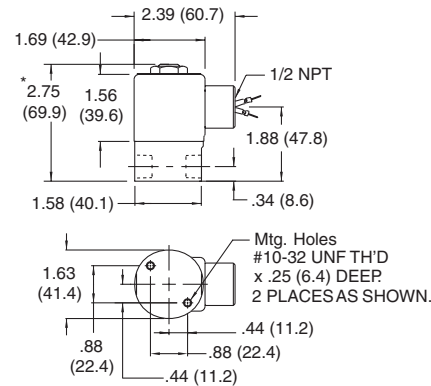
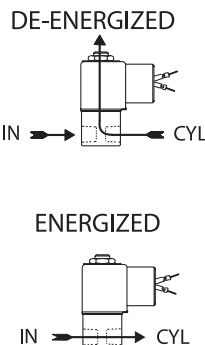
Body: Stainless steel (standard) - Ser. 20, 50, & 70
Brass (standard) - Ser. 30
Brass (optional) - Ser. 20, 50, & 70 - Consult factory
Aluminum (optional) - Ser. 50 - Consult factory

Orifice Diameter: See catalog listings

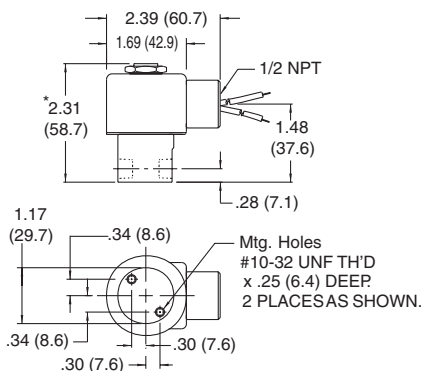
Porting: See catalog listings

Housing: Grommet & 1/2" NPT conduit - many options available.

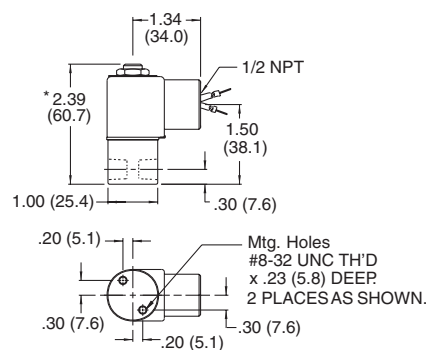
Listings: Most valves are U.L. and CSA listed - Consult factory for specifics.



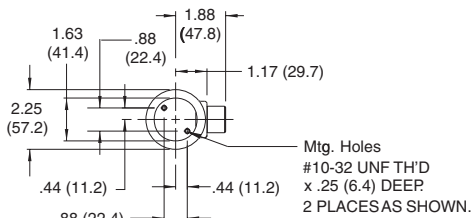
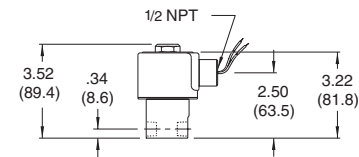
* ADD .165 (4.2) FOR SPADE TERMINAL COIL OPTION



* ADD .100 (2.5) FOR SPADE TERMINAL COIL OPTION



* ADD .232 (5.9) FOR SPADE TERMINAL COIL OPTION



OPTIONS AVAILABLE: –

3 WAY NORMALLY CLOSED EXHAUST TO ATMOSPHERE
FOR ILLUSTRATED OPTIONS SEE PAGES 76-81
FOR FLOW CHARTS SEE PAGES 95-97

HOUSING OPTIONS—see page 78

STRAIN RELIEF CONNECTOR
All Models

SINGLE AUTOMOTIVE
All Models except 53

DOUBLE AUTOMOTIVE
All Models except 53

“AN” CONNECTOR
All Models

SPLICE BOX HOUSING
All Models

JIC HOUSING
Model 23

YOKE
All Models

MOUNTING BRACKET
All Models

COIL OPTIONS—see page 79

MOLDED COIL
All Models

POTTED COIL & HOUSING
All Models

THIRD WIRE GROUND
All conduit Models

SPADE TERMINAL COIL - MOLDED
Models 23, 33, 53

HIGH TEMPERATURE MOLDED COIL
All Models

EUROPEAN DIN STYLE
Models 23, 33

BODY OPTIONS—see page 80

METERING TO 1/8 ORIFICE
Model 23, 33, 53

METERING TO 1/4 ORIFICE
Model 23, 73

METERED BYPASS
Model 23

MANUAL OVERRIDE
Model 23*, 73**

METERED EXH. PORT
Model 23, 33

PORT OPTIONS—see page 81

BOTTOM ORIFICE PORT
All Models

BOTTOM CAVITY PORT
Model 23**, 33, 53, 73

PORT 90° LEFT
All Models except 53

MANIFOLD MOUNT
Model 23**, 33, 53, 73

FLANGE MOUNT
Models 23**, 73

PORT 90° RIGHT
All Models except 53

MISCELLANEOUS OPTIONS—see page 76

SILVER SHADING RING
All Models

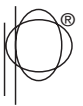
ALUMINUM SHADING RING
All Models

BUILT IN MUFFLER
All Models

UNIVERSAL MOUNTING BRACKET
Models 23, 33, 53

* Not available over 250 psi
** Not available in 1/4" orifice

Note: Availability of certain options or combination of options may vary with quantity of units ordered - Consult representative or factory.



PETER PAUL

SOLENOID VALVES . . .

SERIES 20—MODEL 23

+MAX. OPER. PRESS. DIFF.		ORIFICE SIZE		CV FACTOR		VALVE NUMBER		REPAIR PACK WT. 0.25
AC	DC	INLET	EXH.	INLET	EXH.	GROMMET HOUSING Grommet Valve WT. 1.06 LB. 1/2 NPT PORTS	CONDUIT HOUSING Conduit Valve WT. 1.13 LB 1/2 NPT PORTS	
400	400	1/32	1/32	.024	.024	23GG7DGV	23GG9DGV	K23GGD
150 (200)	150 (200)	3/64	1/16	.052	.095	23HJ7DGV	23HJ9DGV	K23HJD
100 (135)	100 (135)	1/16	1/16	.095	.095	23JJ7DGV	23JJ9DGV	K23JJJ
100 (135)	100 (135)	1/16	3/32	.095	.156	23JK7DGV	23JK9DGV ✓	K23JKD
75 (100)	75 (100)	3/32	3/32	.156	.156	23KK7DGV	23KK9DGV	K23KKD
50 (70)	50 (70)	1/8	3/32	.284	.156	23NK7DGV	23NK9DGV	K23NKD
35 (40)	35 (40)	1/8	1/8	.284	.201	°23NN7DGV	°23NN9DGV	°K23NND
20	20	3/16	3/32	.500	.156	23PK7DGV	23PK9DGV	K23PKD
20	20	3/16	1/8	.500	.201	°23PN7DGV	°23PN9DGV	°K23PND
15	—	1/4	3/32	.700	.156	23RK7DGV	23RK9DGV	K23RKD
15	—	1/4	1/8	.700	.201	°23RN7DGV	°23RN9DGV	°K23RND



3-WAY NORMALLY CLOSED CONDUIT



3-WAY NORMALLY CLOSED GROMMET

*VALVES WITH 1/8 SLEEVE ORIFICE ARE UL LISTED ONLY

SERIES 30—MODEL 33

+MAX. OPER. PRESS. DIFF.		ORIFICE SIZE		CV FACTOR		VALVE NUMBER		REPAIR PACK WT. 0.25
AC	DC	INLET	EXH.	INLET	EXH.	GROMMET HOUSING Grommet Valve WT. 0.75 LB. 1/2 NPT PORTS*	CONDUIT HOUSING Conduit Valve WT. 0.81 LB 1/2 NPT PORTS*	
300	300	1/32	1/32	.024	.024	33GG5DGV	33GG5DCV	K33GGD
175	175	3/64	1/16	.052	.095	33HJ5DGV	33HJ5DCV	K33HJD
125	125	1/16	1/16	.095	.095	33JJ5DGV	33JJ5DCV ✓	K33JJJ
75	75	3/32	3/32	.160	.160	33KK5DGV	33KK5DCV	K33KKD
50	50	1/8	3/32	.275	.160	33NK5DGV	33NK5DCV	K33NKD



3-WAY NORMALLY CLOSED CONDUIT



3-WAY NORMALLY CLOSED GROMMET

SERIES 50—MODEL 53

+MAX. OPER. PRESS. DIFF.		ORIFICE SIZE		CV FACTOR		VALVE NUMBER		REPAIR PACK WT. 0.25
AC	DC	INLET	EXH.	INLET	EXH.	GROMMET HOUSING Grommet Valve WT. 0.38 LB. 1/2 NPT PORTS*	CONDUIT HOUSING Conduit Valve WT. 0.44 LB 1/2 NPT PORTS*	
200	200	1/32	1/32	.022	.020	53GG8DGB	53GG8DCB	K53GGD
150	150	3/64	3/64	.055	.048	53HH8DGB	53HH8DCB	K53HHD
150	150	3/64	1/16	.055	.075	53HJ8DGB	53HJ8DCB	K53HJD
100	100	1/16	1/16	.075	.075	53JJ8DGB ✓	53JJ8DCB	K53JJJ
60	60	3/32	1/16	.156	.075	53KJ8DGB	53KJ8DCB	K53KJD
50	50	3/32	3/32	.156	.150	53KK8DGB	53KK8DCB	K53KKD
30	30	1/8	1/16	.230	.075	53NJ8DGB	53NJ8DCB	K53NJD
30	30	1/8	3/32	.230	.150	53NK8DGB	53NK8DCB	K53NKD



3-WAY NORMALLY CLOSED CONDUIT



3-WAY NORMALLY CLOSED GROMMET

SERIES 70—MODEL 73

+MAX. OPER. PRESS. DIFF.		ORIFICE SIZE		CV FACTOR		VALVE NUMBER		REPAIR PACK WT. 0.25
AC	DC	INLET	EXH.	INLET	EXH.	GROMMET HOUSING Grommet Valve WT. 2.00 LB. 1/2 NPT PORTS*	CONDUIT HOUSING Conduit Valve WT. 2.06 LB 1/2 NPT PORTS*	
350	350	1/16	1/16	.09	.09	73JJ9DGV	73JJ9DCV	K73JJJ
250	250	3/32	3/32	.22	.22	73KK9DGV	73KK9DCV	K73KKD
175	175	1/8	1/8	.35	.35	73NN9DGV	73NN9DCV	K73NND
125	125	5/32	5/32	.45	.45	73009DGV ✓	73009DCV	K7300D
100	100	3/16	3/16	.50	.50	73PP9DGV	73PP9DCV	K73PPD
50	50	1/4	3/16	.78	.50	73RP9DGV	73RP9DCV	K73RPD



3-WAY NORMALLY CLOSED CONDUIT



3-WAY NORMALLY CLOSED GROMMET

WHEN ORDERING VALVES OR REPAIR PACKS ADD VOLTAGE AND FREQUENCY TO COMPLETE VALVE NUMBER.
EXAMPLES: VALVE (73KK9DGV-120/60) REPAIR PACK (K73KKD-AC) See repair pack reference page 82

†Ratings in brackets are optional extended ratings; consult factory
NOTE: The above checked (✓) Valves, but with optional molded coils, are most popular based on sales and likely to be in Distributor stock.